

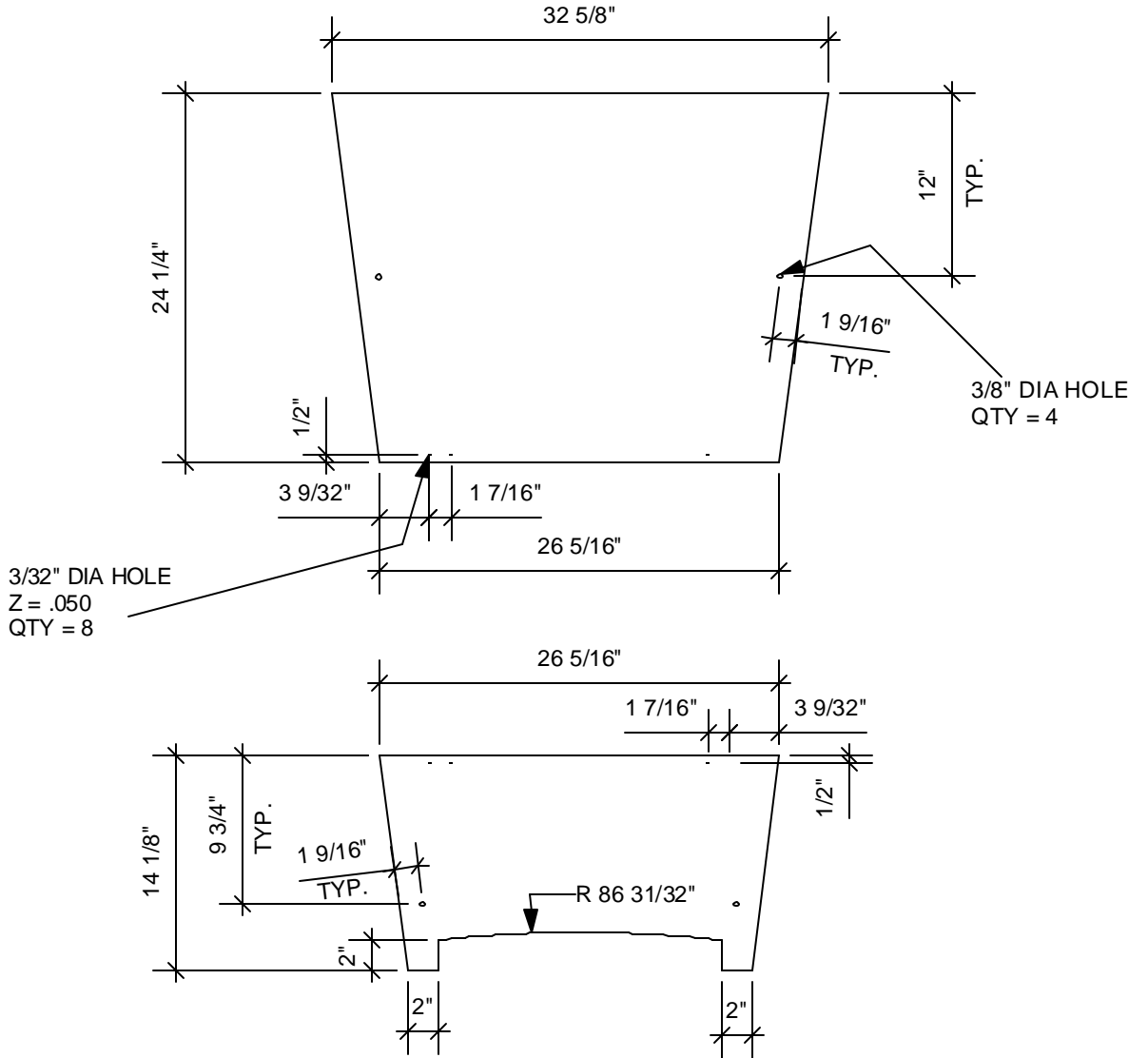
EXPONENTS



Distribution **D P O C F H S M G W** SALES DESIGN **GT**

2" X 2" STANLEY HINGE
QTY = 4

GYFORD
SO-CAP1
QTY = 8



1/2" PREFINISHED BIRCH

BACK VIEW

PROGRAM # 700119

PROPRIETARY INFORMATION
EXPONENTS INC.

REV.	DESCRIPTION:	DATE:	MATERIAL: 1/2" prefinished birch	CATALOG NUMBER:	PART NUMBER: 07185-01
			FINISH: clear	DESCRIPTION: 32 5/8" KD Pedestal (FRONT)	
			DRAWN: T. SMILEY	DATE: 06/02/03	
			CHECKED:	DATE:	SCALE: 1"=1'0"
					SHEET: 1 OF 3

Exponents, Inc.
3280 Kurtz Street
San Diego CA, 92110

Tel: 619.298.6473

Fax: 619.298.6504

www.exponents.com